

Birlüksan

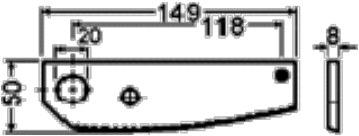
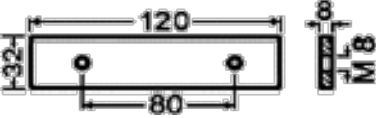
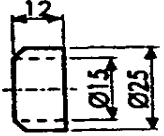
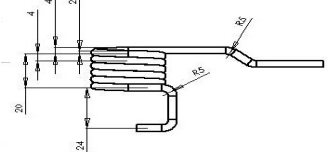

METAL CUTTING MACHINES

SAC MAKASI

PLATE SHEAR



KOD.	ART.NO.	BH-130-1000
MODEL	TYP.	2BR / 4 B.
SAC	METAL	4 mm.
YUVARLAK	ROUND	10 mm.
BIÇAK BOY	BLADE	120 mm.
AĞIRLIK	WEIGHT	7+2
AMBALAJ	PACKING	1

SYMBOL	PARÇA ADI	DESCRIPTION	ART.NO.
	MAKAS BIÇAĞI - TAKIM	BLADE - SETS	BC-130-SET
	MAKAS BIÇAĞI - ÜST	BLADE - TOP	BC-130-TOP
	MAKAS BIÇAK - ALT	BLADE - BOTTOM	BC-130-BOTTOM
	YUVARLAK BIÇAK - 22 MM	ROUND BLADE -22 MM	BC-130-ROUND
	MAKAS YAYI - 4 MM	SPRING - 4 MM	YP-130-SPRG
	MAKAS KOLU - 30*10*900	HANDLE - 30*10*900	YP-130-HNDL